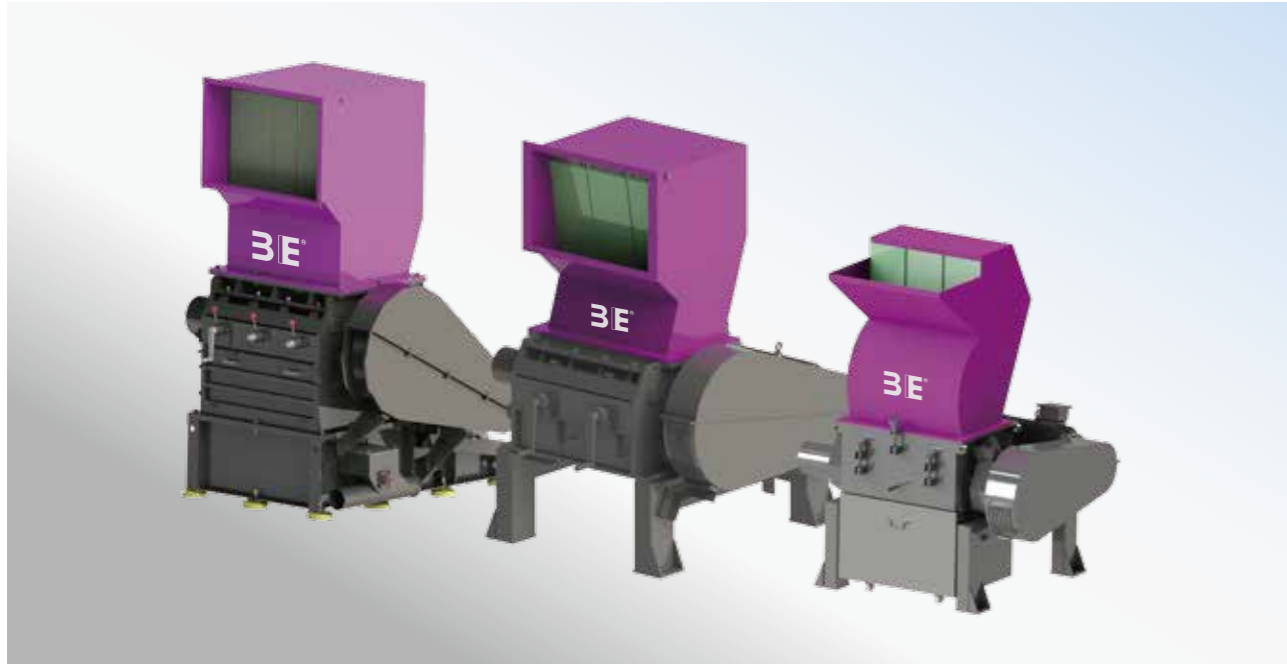


高效·经济·环保的破碎机

EFFICIENT ECONOMICAL ENVIRONMENTAL

3E机械专注“破碎”与环保回收行业，我们专业设计，制造与销售破碎机，同时可根据客户的需求提供完整的工业废料回收解决方案。

3E Machinery is an integrated company specialized in developing, manufacture, distributing and providing recycling machinery solutions. We focus on "Shredding" and "Recycling" industry. As per customer's requirements, 3E could provide complete recycling solutions.



PC系列破碎机主要用于塑料、金属、纸张、电子垃圾、橡胶、轮胎等物料的破碎，破碎物的外形可以是块状胶头料，薄膜，片材，管状、浇口料及各种外形的中空容器等。客户可针对不同物料的破碎需求选用不同的刀辊结构，从而提高效能。同时客户可根据需求配备风送集料装置和隔音罩。此系列破碎的箱体为对开结构，清洗、换刀、维修保养十分方便，具有经济适用，操作简易，使用寿命长等优点。

The PC series granulators are used for crushing plastic, metal, paper, electronic waste, rubber and tires. The shape of the crushing material is different that includes plastic lump, film, sheet, pipe or various shape hollow containers etc.

In order to improve the efficiency, recycling different material adopt different rotor for the machine. The material is cut cleanly between the rotor and stator knives, and cut down to a homogenous regrind size determined by the screen holes on the fitted screen. At the same time, it could equip with bagging off unit and sound proof cover for the machine based on the customer's requirements. It is split structure for the cutting chamber, so it is easy for cleaning, replacing blade, maintaining and repairing.



Domestic sales
国内销售热线Tel:86-(0)20-39960299

Oversea sales
海外销售热线Tel:86-(0)20-84729983

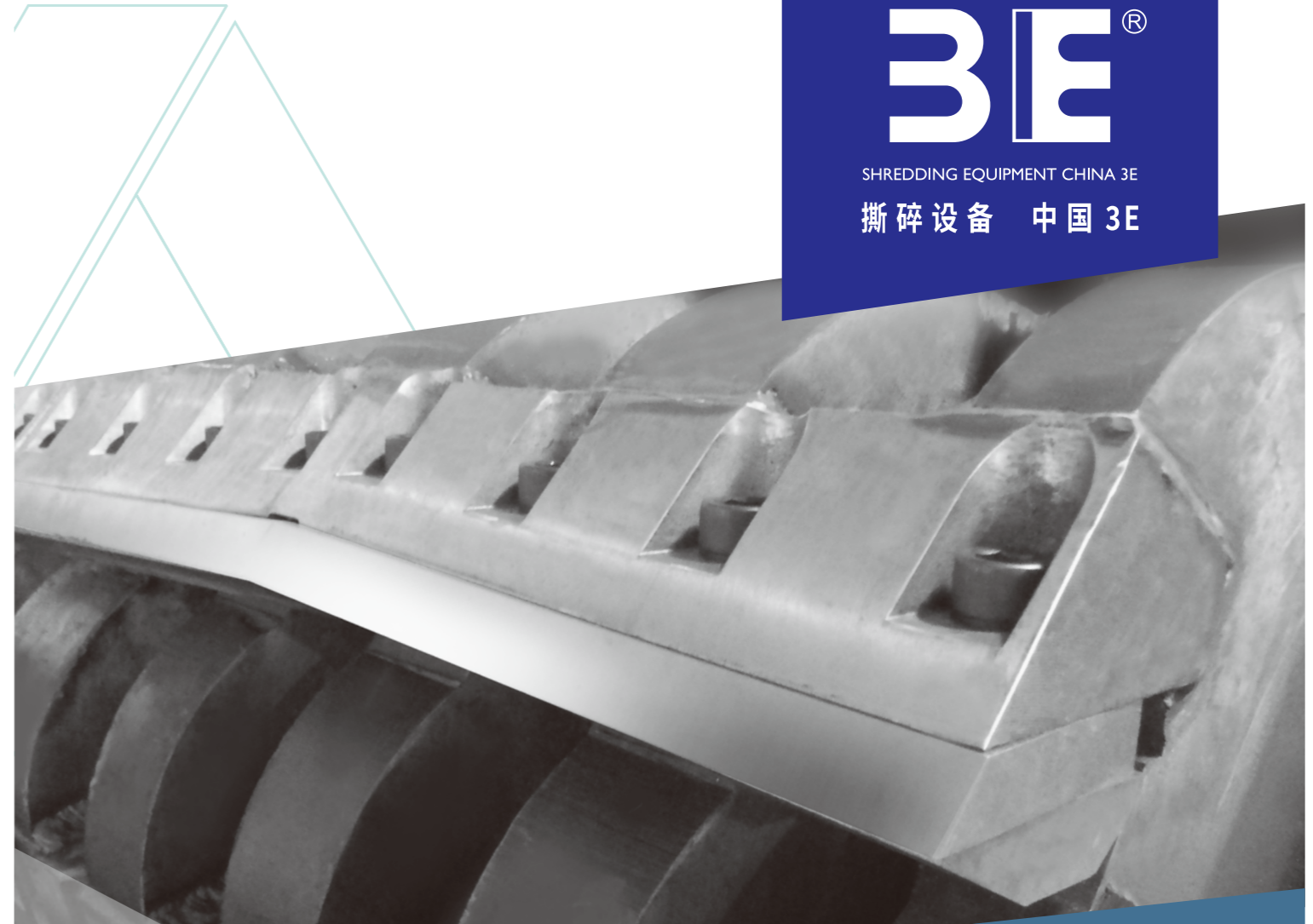
2023年2月印刷

广州市联冠机械有限公司 GUANGZHOU 3E MACHINERY CO.,LTD Webstie: www.3e-machinery.com / www.3e-recycling.com
中国·广州市番禺区大龙街泰安路西六横街4号 No.4 XI LIU HENG STREET,TAIAN ROAD,DALONG,PANYU DISTRICT,GUANGZHOU,CHINA

3E®

SHREDDING EQUIPMENT CHINA 3E

撕碎设备 中国 3E



GRANULATOR

破碎机



3E机械官网



公司微信

Granulator 破碎机

Key Feature | 特点

刀辊机械固定&外置轴承 Rotor locking device & external bearing

刀辊机械固定：箱体打开同时，通过插销把刀辊固定，避免刀辊转动对人员造成伤害。

Rotor Locking Device: Ensures safety during maintenance when the hopper is in the open position.

外置轴承：有效避免物料中含有的水分和粉尘进入轴承

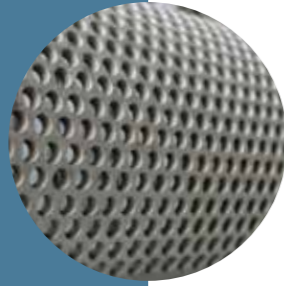
External bearing: External spherical rotor bearings with protective bearing covers prevents foreign objects entering the bearing housing.



筛网 | Screens

不同的筛网尺寸和形状，符合客户对出料的不同需求。

A wide range of screens available to adjust the particle size of discharge materials.



螺旋出料 Optional Screw Discharge Chute

破碎后的物料通过螺旋输送自动出料，以保证机器的连续生产。

Material can be discharged from the collection chute by screw feed rather than air extraction.



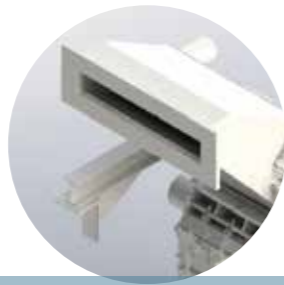
进料斗 | Hopper

加固设计，坚实耐用。

Robust welded hopper with additional support struts to increase strength of hopper and prolong service life.



在线破碎料斗 | Hopper



CE认证 | CE Certified

机械、电器多重保护，符合欧盟CE标准
Safety devices in line with European CE Certification.



筛网锁紧装置 Lockable Screen Support Frame (screen locking device)

通过多个锁紧螺栓锁紧筛网，操作方便，牢固可靠。

Robust frame to support the screen maintains the screen shape and avoids damage to the screen.



液压开斗装置 Hydraulic Chamber Opening Mechanism

通过液压控制料斗和箱体的打开合并，安全平稳。
It will be more safety to open the hopper and cutting chamber by hydraulic station.



隔音罩 | Sound Proof

能有效隔绝机器设备在运作过程中向外辐射的噪音
Cut off the noise effectively when the machine operation.



刀辊 | Rotor Variations

客户可根据对不同物料破碎的需求，选择不同的刀辊结构，可最大程度提高破碎产量和质量，同时可以延长设备的使用寿命。It could improve the capacity and quality largely and extend the service life for the blade by using different rotor for different recycled material.

▶ 前置人字刀刀辊 Front Set V-Rotor



刀辊叶片间隙不大，适合破碎较坚硬的水口料、管材、厚壁物料和厚片材等物料。
The front set chevron configuration of the V-rotor gives an efficient double scissor cut which encourages material to the centre of the cutting chamber. The gap between rotor and blade is small. It is suitable for crushing injection plastic, pipe and thick sheet etc.

▶ 后置人字刀普通型刀辊 Rear Set V-Rotor



刀辊叶片间的间隙较大，能有效减少切削冲击力，适合破碎片材，薄膜等物料。
The rear set V-rotor is similar in design to the front set V-rotor with the rotor blades set at an inclined angle, it is particularly suitable for processing lighter materials.
The gap between rotor and blade is large. It could reduce the impact force largely. It is suitable for crushing hollow material such as PVC sheet, film etc.

▶ 后置人字刀整体刀辊 Rear Set L-Rotor



此刀辊叶片间的空隙较大，有利于快速吃料；刀爪较多，切削效率高，适合破碎橡胶等材质物料。
The gap between rotor and blade is large enough, and it could crush the material in short time.. It is suitable to crushing rubber.
The space between the blades is bigger, that made the rotor touching the materials quickly. With multi-hooks blades, the cutting efficiency is high. Suitable for crushing materials such as rubber.

▶ 阶梯刀刀辊 Ladder Blade Rotor



刀辊采用实心刀体结构，适合破碎极坚硬材质物料，如胶头料、厚壁管、厚板等物料。
The ladder blade rotor uses a staggered blade configuration which offers high inertia and limits the amount of impact on each blade. The structure for the rotor is solid. It is used normally for processing hard/thick materials such as thick pipe, board and plastic lumps.

▶ 瓶片刀刀辊 P-Rotor



此刀辊采用多组错开一定角度的后置人字刀排布，减少切削冲击力，适合用于破碎薄壁物料，如PET瓶等。
The P-Rotor blades are placed on the rotor with stagger angle reducing the impact during operation. Specifically designed for processing flexible materials such as PET bottle.

▶ PCK 刀辊 PCK-Rotor



此刀辊叶片间的开口尺寸较大，有利于快速吃料，适用于大尺寸，中空型物料的破碎。
The gap between the blades are larger enough which is easier for cutting material and it is suitable to process large size empty material.

Application | 应用



• 胶头料/高强度工程塑料
Hard Plastic
Plastic Lump (Purging)/Plastic Blocks/Engineering plastics: ABS, PC, PS



• 塑料瓶/塑料桶等中空物料
Hollow containers
Plastic bottles/Plastic drum etc.



• 管材 Pipe



• 报纸/杂志/硬纸板
Paper
News papers/
Magazines/cardboard/ office paper



• 薄膜/吨袋/编织袋/PET打包带
Soft Plastic
Plastic Films/Woven bags/ PET strapping

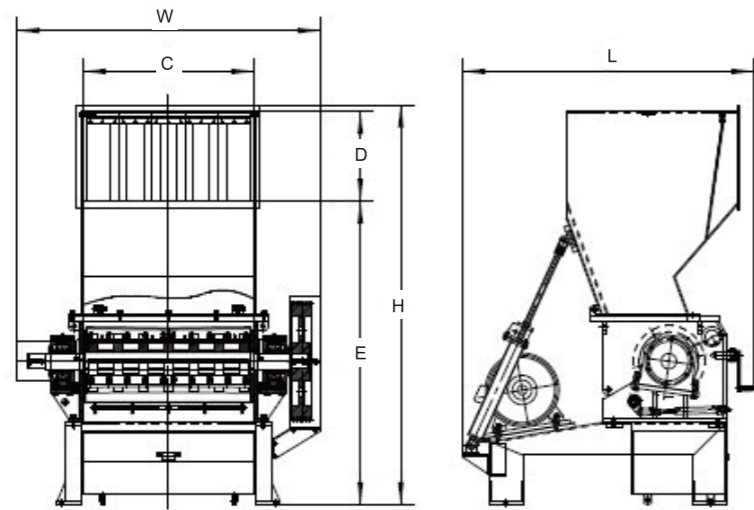


• 轮胎/橡胶 Tire/Rubber

中小型破碎机 | SMALL & MEDIUM GRANULATOR

PC26-PC42属于常用的中小型破碎机，此系列破碎机用途广泛，经济适用性强，适用于破碎各种塑料、机头料、胶头料、片材、电路板、薄膜、橡胶等，同时适用于塑料瓶、管材等中空物料的破碎。客户可根据不同物料的破碎需求，选择不同的刀辊结构，提高破碎效率和破碎效果，也可按需配备风送集料装置和隔音结构。具有实用性强、操作简便、使用寿命长等特点。

The PC26-PC42 range of Granulators is our conventional range of small to medium size Granulators. The body of the machine is made of welded by rigid steel structure. Suitable for processing a wide range of materials including: plastic lump, sheet, plastic film, rubber, etc.

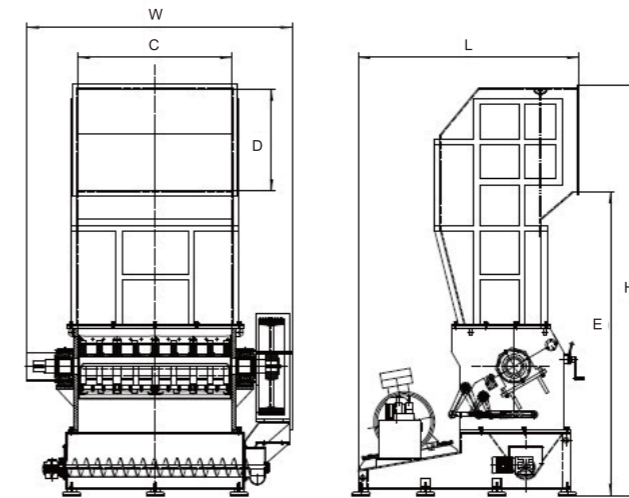


Item	Model	PC2660	PC3260	PC3280	PC4280	PC42100	PC42120
外形尺寸 Dimension L/W/H(mm)		1483×1328×1740	1486×1368×1711	1586×1568×1814	1770×1642×2425	1770×1842×2425	1760×2221×2530
粉碎室尺寸 Cutting chamber C/D(mm)		634×383	634×415	834×414	834×540	1034×540	1234×540
破碎口高度 E(mm)		1567	1269	1369	1842	1842	1947
刀体回转直径 Rotor Diameter(mm)		φ260	φ320	φ320	φ420	φ420	φ420
主轴转速 Main Shaft Speed(r/min)		591	438	627	466	466	462
筛网孔径 Screen Mesh(mm)		φ8	φ12	φ12	φ12	φ12	φ12
动刀数量 Rotor-knives(PCS)		3×2	3×2	3×2	3×2	3×2	3×2
定刀数量 Stator-knives(PCS)		2X2	2×2	2X2	2X2	2X2	2X2
主机功率 Main Motor Power(KW)		15	15	22	37	45	55
设备重量 Weight(KG)		Approx 1000	Approx 1500	Approx 1700	Approx 2600	Approx 3500	Approx 4500

重型破碎机 | HEAVY-DUTY GRANULATOR

PC52-PC80系列属于大型破碎机，采用牢固焊接钢结构，是专门针对难碎物料而设计的通用重型设备。适用于破碎型材、管材、大块实心物料以及注膜过程中产生的废料等。客户可根据不同的出料要求，选择不同尺寸的筛网。具有实用性强，操作简易等特点。

The PC52-PC80 range of granulators is our large range of granulators, it is design for recycling the hard and thickness materials, such as proximate matter, tubes, large size solid materials, defective products etc.



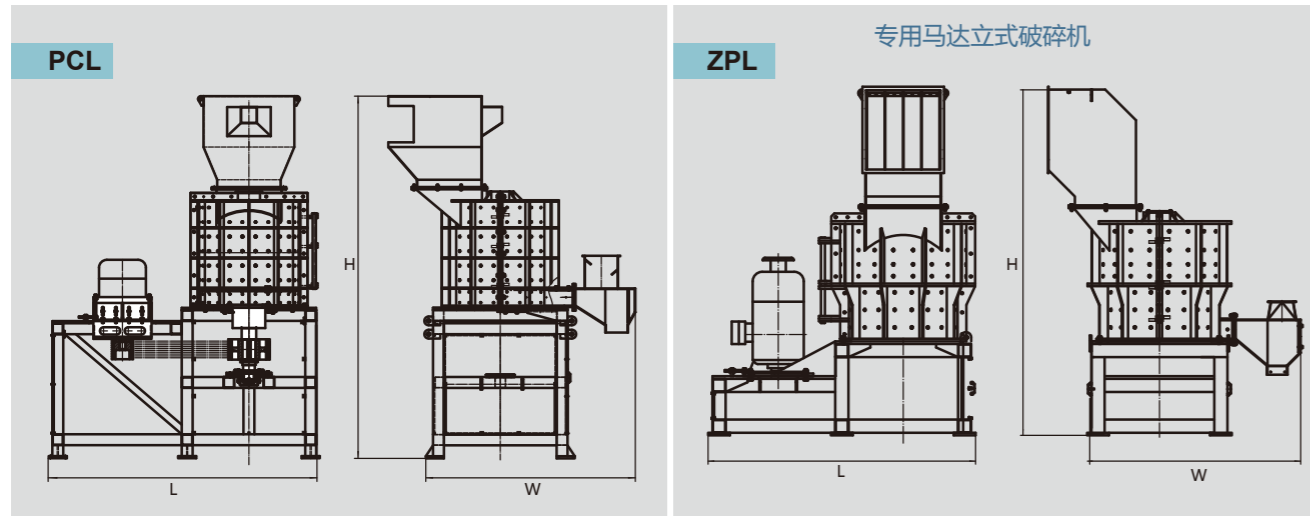
Item	Model	PC52100	PC52120	PC66120	PC66160
外形尺寸Dimension L/W/H(mm)		2119 X 2025 X 2984	2070 X 2225 X 2984	2410 X 2320 X 4340	2335 X 2808 X 4337
粉碎室尺寸Cutting chamber C/D(mm)		1034 X 708	1234 X 705	1234 X 1080	1634 X 1008
破碎口高度E(mm)		2236	2236	3214	3214
刀体回转直径Rotor Diameter(mm)		φ520	φ520	φ660	φ660
主轴转速Main Shaft Speed(r/min)		462	462	462	414
筛网孔径Screen Mesh(mm)		φ12	φ12	φ12	φ12
动刀数量Rotor-knives(PCS)		5*2	5*2	5*2	5*4
定刀数量Stator-knives(PCS)		2 X 2 / 2 X 3	2 X 2 / 2 X 3	2 X 2 / 2 X 3	4 X 2 / 4 X 3
主机功率Main Motor Power(KW)		55	75	90	132
设备重量Weight(KG)		Approx 5000	Approx 6000	Approx 7500	Approx 8800

Item	Model	PC80160	PC80200	PC80240
外形尺寸Dimension L/W/H(mm)		3000 X 2900 X 4763	2735 X 3373 X 4563	3979 X 3070 X 4479
粉碎室尺寸Cutting chamber C/D(mm)		1634 X 1000	2033 X 1000	2434 X 698
破碎口高度E(mm)		3675	3514	3351
刀体回转直径Rotor Diameter(mm)		φ800	φ800	φ800
主轴转速Main Shaft Speed(r/min)		414	420	417
筛网孔径Screen Mesh(mm)		φ12	φ12	φ12
动刀数量Rotor-knives(PCS)		7*4	9*4	9*16
定刀数量Stator-knives(PCS)		4 X 2 / 4 X 3	4 X 2 / 4 X 3	6 X 2 / 6 X 3
主机功率Main Motor Power(KW)		160 / 200	160 / 200	160 X 2
设备重量Weight(KG)		Approx 15000	Approx 18000	Approx 24500

立式破碎机 | VERTICAL GRANULATOR

立式破碎机主要用于厚度较薄、强度较低的金属材料或非金属脆性物料的破碎回收，如汽车外壳、冰箱外壳、电脑机箱等废旧物料，同时可适用于相对较大中空物料的破碎。经此机型破碎后的铁质物料更加密实，堆积密度大于1200 kg/m³，可满足客户对小尺寸大产量的出料的需求，同时设备可作为二级破碎设备使用。

The Vertical Granulator is design for recycling the thin and low strength metals or nonmetal brittleness materials. Suitable for crushing materials including: car shell, shell of WEEE, computer case and etc. The materials are broken is more dense, bulk density > 1200 kg/m³. Besides, this machine can be used as a secondary crushing equipment.



Model	PCL100	PCL200	PCL400	ZPL100
外形尺寸 Dimension L/W/H(mm)	3050 X 3036 X 4634	3730 X 3407 X 4984	4580 X 3200 X 6300	3050 X 2880 X 3980
破碎室高度 High Of The Cutting Chamber(mm)	819	835	950	1350
刀体回转直径 Rotor Diameter(mm)	φ990	φ1165	φ1400	φ1050
主机功率 Main Motor Power(kw)	75	132	320	132
设备重量 Weight(kg)	Approx 8000	Approx 13000	Approx 18000	Approx 8500

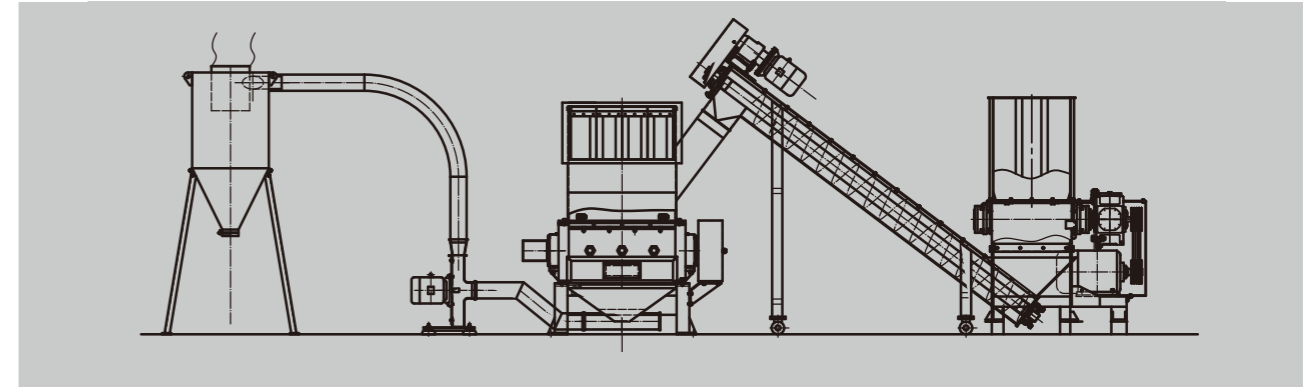
说明 NOTICE

以上规格参数仅供参考，如有更改恕不另行通知。请在订购前与我司销售代表确认。

The above specifications are only for reference and subject to change without prior notice, please confirm with our sales representative when making order.

应用案例 | REFERENCE CASES

- 单轴撕碎机WT2260配破碎机PC3280S加风送集料斗
Single shaft shredder WT2260 with Granulator PC3280S



- 单轴撕碎机WT40150配破碎机PC42120加风送集料斗
Single shaft shredder WT40150 with Granulator PC42120

